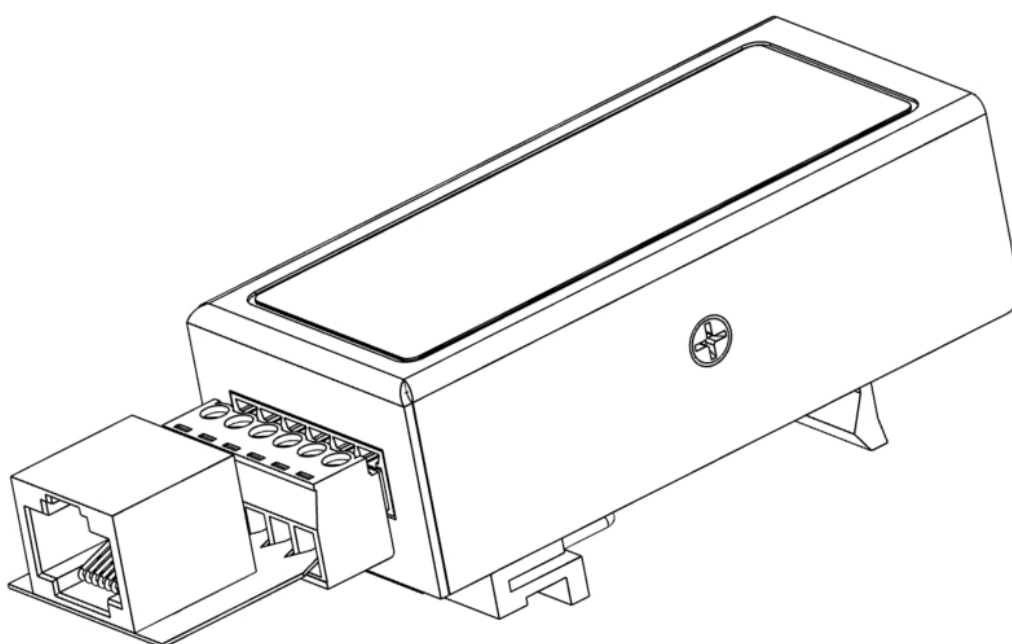


# MPPT Solar Charge Controller WIFI Module with RJ45 User Manual

## NET03 Model

Compatible with all SUNOPEN products featuring an RJ45 interface



Thank you for choosing our products!

**Manual Version: V1.0** Subject to change without notice. Contact sales for the latest e-document.

# Contents

1. Product Introduction and Specifications .....	3
1.1. Product Overview .....	3
1.2. Product Specifications and Appearance Description.....	3
2. Pin Definitions for TTL Communication, RS485 Communication, and External 12V Output Interface.....	4
3. Communication Cable Extension Length Construction .....	4
4. Common Issues and Solutions .....	4
5. Product Installation Diagram .....	5

## 1. Product Overview and Specifications

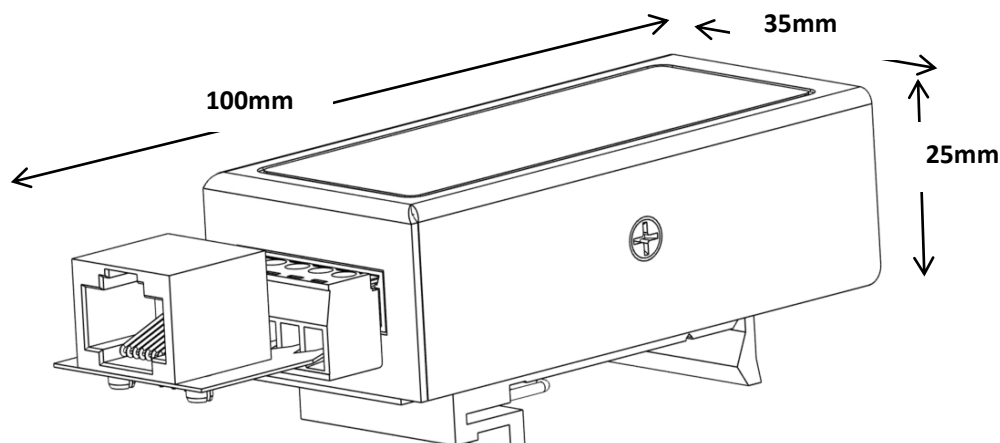
### 1.1 Product Overview

This network remote module features low power consumption, stable connectivity, and strong anti-interference capabilities. Custom-designed for SUNOPEN solar controllers, it supports WeChat mini-programs, Android APKs, and web interfaces, enabling customers to intuitively monitor system data via mobile devices.

- Proven in large-scale applications;
- Supports Ethernet transmission;
- Fully industrial-grade design for harsh environments;
- Hardware and software watchdogs with multiple link detection mechanisms ensure stable operation without downtime;
- High availability and reliability;
- Supports multiple management tools and cloud platform configurations for flexible and efficient on-site or remote management;

### 1.2 Product Specifications and Appearance Description

- Standard: Ethernet; Speed: 10Mbps
- Mechanical Features: DIN rail mountable, wall mount compatible; Protection Rating: IP30; Housing: Sheet metal; Cooling Method: Natural convection;
- Power Supply: Removable industrial terminals; Supports reverse polarity protection; Supports overload protection; Input: 9V~36V; Standby 10mA; Operating 30mA;
- Reset Button: Pinhole reset button;
- Antenna: 50 ohms/SMA
- Operating Temperature: -40°C to +80°C; Operating Humidity: 5% to 95%;
- Communication: RS485; Baud rate: 1200bps~115200bps;
- Power consumption: 5mA



## 2. Pin Definitions for TTL Communication, RS485 Communication, and External

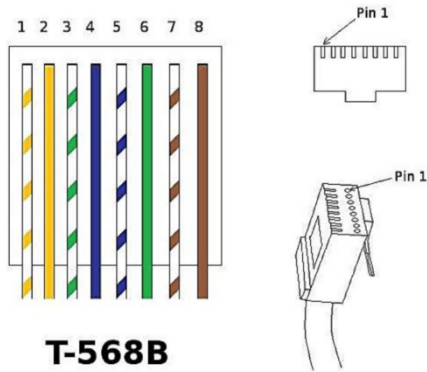
	Serial Number	Definition
	①	TTL-RXD
	②	TTL-TXD
	③	Not Used
	④	Not used
	⑤	GND
	⑥	12V
	⑦	485-B
	⑧	485-A

Note: 12V provides a maximum current of 300mA. Exceeding this may damage the interface with some probability. Reverse polarity on the controller.

## 3. Communication Cable Extension Length Fabrication

### 3.1 Network Cable Types

- Standard T568B: Orange-white, orange, green-white, blue, blue-white, green, brown-white, brown;



- Supported cable length: <2 meters;

## 4. Common Issues and Solutions

Symptom	Solution
Indicator light does not illuminate	Check for incorrect wiring sequence or poor contact
Communication is unstable	Check if the Bluetooth module is obstructed or shielded by a metal casing

Communication issues within embedded enclosures

Ensure the enclosure has a window cutout for the Bluetooth module and is properly waterproofed

## 5. Product Installation Diagram

